

DESCRIPTION

The M52771SP is a single chip CTV processor which has VIF/SIF, luminance, chrominance, mono sound, OSD display, RGB interface, and deflection.

And it is possible to control each parameters by I²C bus. A baseband 1H delay line is built-in, and conjunction with SECAM decoder M52325AP simplifies multi system CTV chassis.

FEATURES

- Built-in 1H Delay Line using Bi-CMOS technology
- Multistandard PLL demodulator for IF
- Alignment - free sound demodulator
- Flexible source selection with internal CVBS and external CVBS or Y/C input signal
- Audio switch integrated
- Integrated chroma trap and bandpass filters with auto-calibration
- Luminance delay line integrated
- RGB control circuit with cut-off and drive
- Linear RGB inputs and fast blanking
- Horizontal synchronaization with two control loops and alignment-free H-oscillator
- Vertical count-down circuit
- Vertical saw tooth generator integrated
- I²C Bus control of various functions
- Easy interfacing with SECAM decoder for multistandard applications
- Small amount of peripheral components

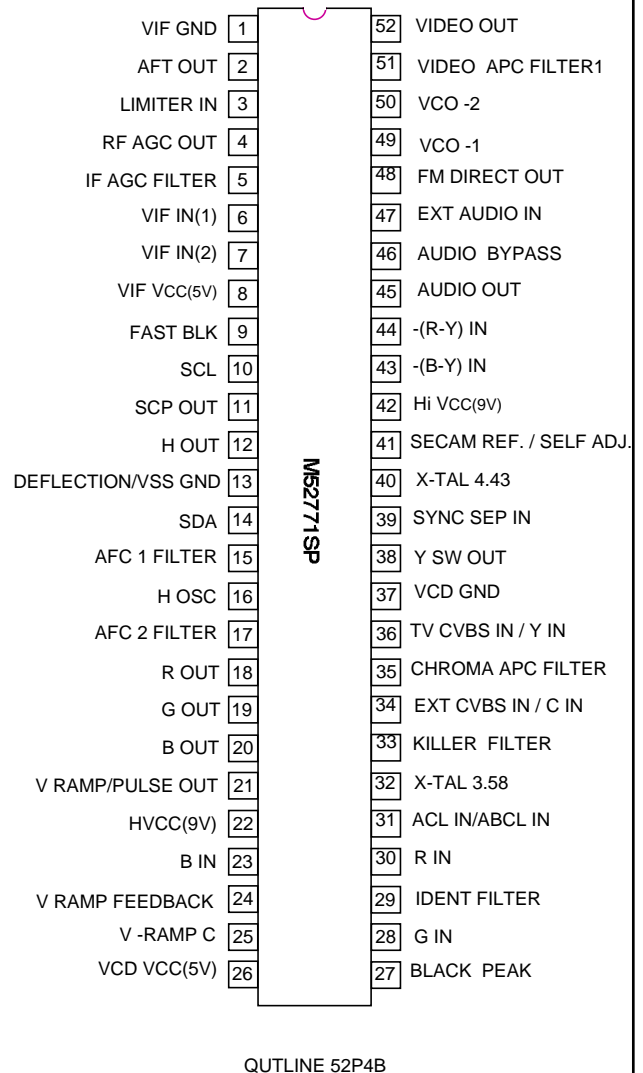
APPLICATION

NTSC/PAL TELEVISION

QUICK REFERENCE DATA

- Supply voltage pin8(VIF), pin26(video/chroma)..... 5.0V
pin22(Start-up), pin42(Output Stage)..... 9.0V
- Supply current pin8 and pin26..... 107mA
pin22 and pin42.....56mA
- Input signals VIF input sensitivity..... 48dBμ
SIF limiting sensitivity..... 43dBμ
External audio input..... 920mV rms
External CVBS/Y inputs..... 1V_{P-P}
External chroma input (burst amplitude)..0.3V_{P-P}
External RGB inputs..... 0.7V_{P-P}
Fast blanking Internal TV.....0 to 1.3V
External RGB..... 1.7 to 3.3V
BLK.....3.7 to 5V
-(R-Y) input.....1.05V_{P-P}
-(B-Y) input..... 1.33V_{P-P}

PIN CONFIGURATION (TOP VIEW)



- Output signals VIF CVBS det out.....2.2V_{P-P}
RF AGC output range..... 0.3 to 8.7V
Video switch out.....2.1V_{P-P}
RGB output Pedestal voltage..... 2.2V
amplitude..... 4.2V_{P-P}
Horizontal output amplitude..... 4.0V_{P-P}
Vertical ramp amplitude..... 2.0V_{P-P}

ABSOLUTE MAXIMUM RATINGS

Symbol	Parameter	Ratings	Unit
V _{cc}	Supply voltage	0.0, 10.0	V
P _d	Power dissipation	1690	mW
K _q	Thermal derating	13.52	mW/°C
T _{opr}	Operating temperature	-20 to +65	°C
T _{stg}	Storage temperature	-40 to +125	°C

TYPICAL CHARACTERISTICS

